



Firescreen Temperature-P

FIRE-RESISTANT FIRE CURTAIN

Firescreen Temperature fire-resistant fire curtains are flame-resistant, limit heat radiation, and provide thermal insulation. This makes the fire curtains suitable for such uses as creating an evacuation route or an attack route for the fire brigade. When used to seal fire compartments, the curtains ensure that the curtain temperature on the non-fire side rises by at most 140°C.

STANDARD SPECIFICATIONS

Installation:	On the wall.
Mounting surface:	Aerated concrete blocks, concrete, brick or fire resistant coated steel
Application:	Insulation without sprinkler system, realisation of an evacuation route, among others; meets the requirements for a fire wall.
Function:	Door closes only in the event of a fire alarm.
Fire resistance:	Tested according to standard EN 16034. Fire resistance classes EI ₂ 90 en EI ₂ 120.
Clear opening:	Maximum 8.400 x 4.500 mm (w x h) Minimum 500 x 500 mm (w x h)
Material:	Double-walled technical textile, filled with intumescent material
Casing size:	Depending on the clear opening and the location of the drive system. Minimum 280 x 280 mm (d x h) Maximum 650 x 650 mm (d x h)
Cloth weight per m ² :	9 kg/m ² .
Side guide rails + casing:	Sendzimir galvanised plated steel

FAIL SAFE OPTIES

Closure upon loss of power:

- EFS (Electrical Fail Safe).
In the event of power failure, the screen closes with emergency powerbatteries.

FIRESCREEN CONTROL

The control box includes the ability to connect to the fire alarm system and has LED indicators for:

- Power supply
- Active fire signal (optical and acoustic)

OPTIONS

- Available with smoke-resistant function, Sa and S200, in accordance with the standard EN 1634-3.
- Powder-coating of side guides, casing and consoles in any desired RAL colour.
- Key switch
- Push button up
- Controlled by smoke and temperature detectors.
- Powerpack: prevents screen closure in the event of a short power interruption.

- ▲ Maximum 120 minutes fire resistant (EI₂120)
- ▲ Tested according to standard EN 16034
- ▲ With EPD certificate
- ▲ Suitable for use along escape routes
- ▲ Very compact casing
- ▲ Available in Sa and S200, tested according to standard EN 1634-3

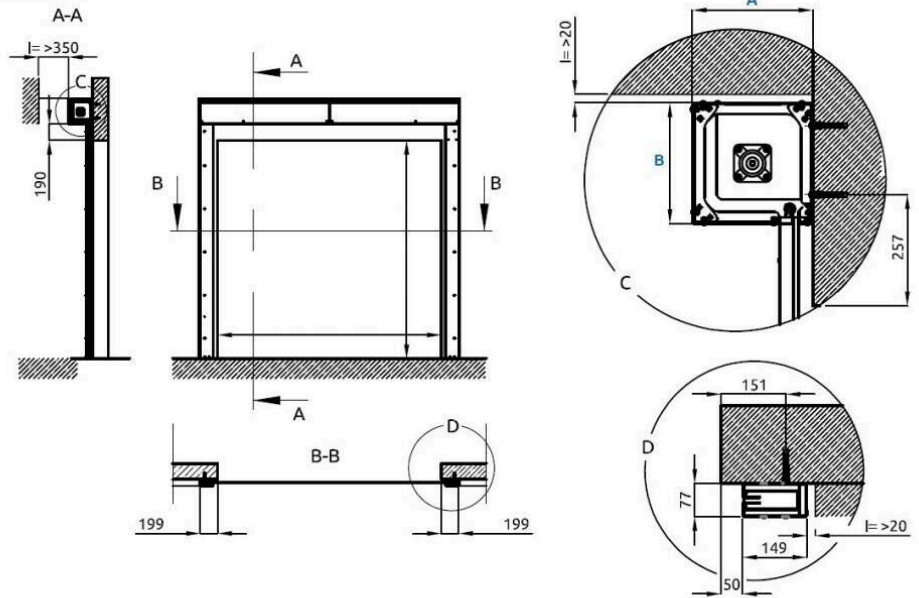


Purveyor
to the
Royal Household

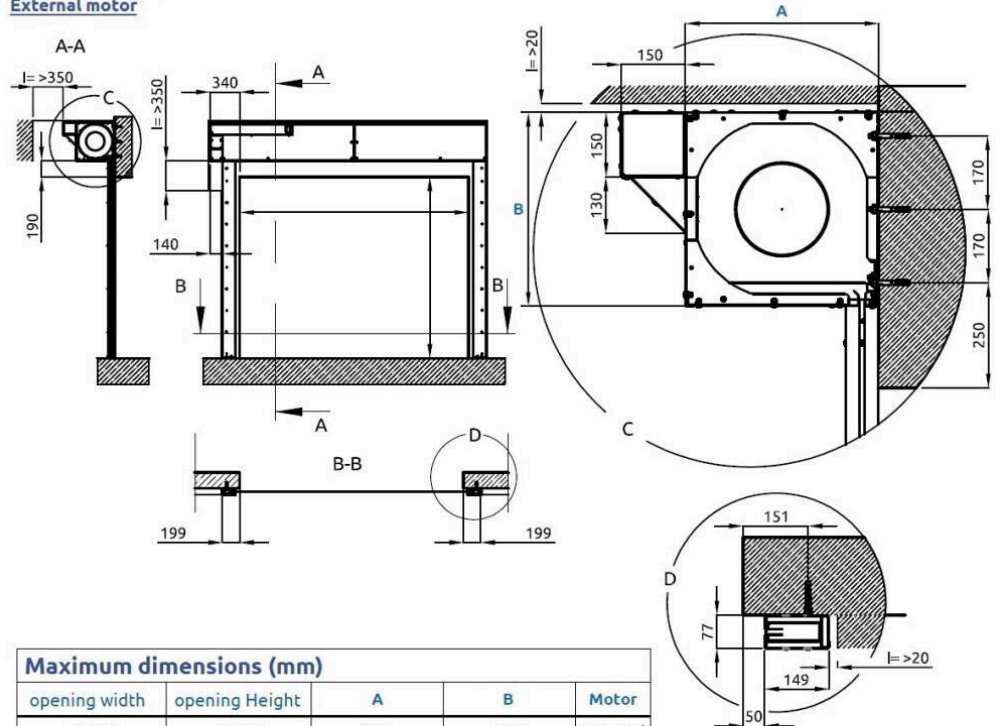
Firescreen Temperature-P



Internal motor



External motor



Hoefnagels Fire Safety
 Zevenheuvelenweg 50
 5048 AN Tilburg (NL)

Tel. +31 13 4625959
 info@hoefnagels.com
 www.hoefnagels.com

Maximum dimensions (mm)

opening width	opening Height	A	B	Motor
≤ 2000	≤ 2000	280	280	Internal
≤ 4000	≤ 3200	350	350	Internal
≤ 3200	≤ 4000	400	400	Internal
≤ 4800	≤ 3600	400	400	external
≤ 5400	≤ 3500	400	400	external
≤ 5400	≤ 4500	450	450	external
≤ 8400	≤ 4500	650	650	external

